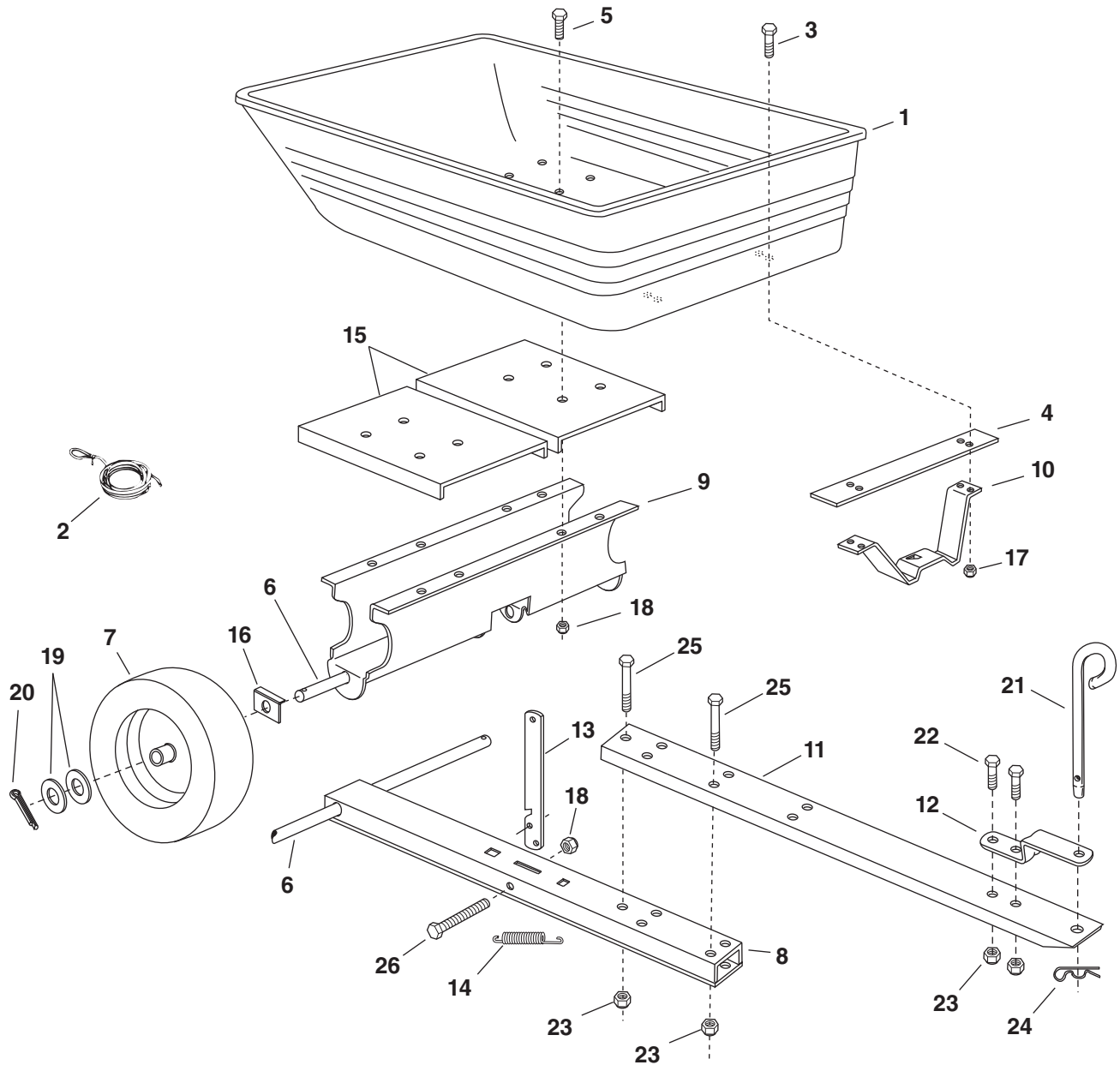
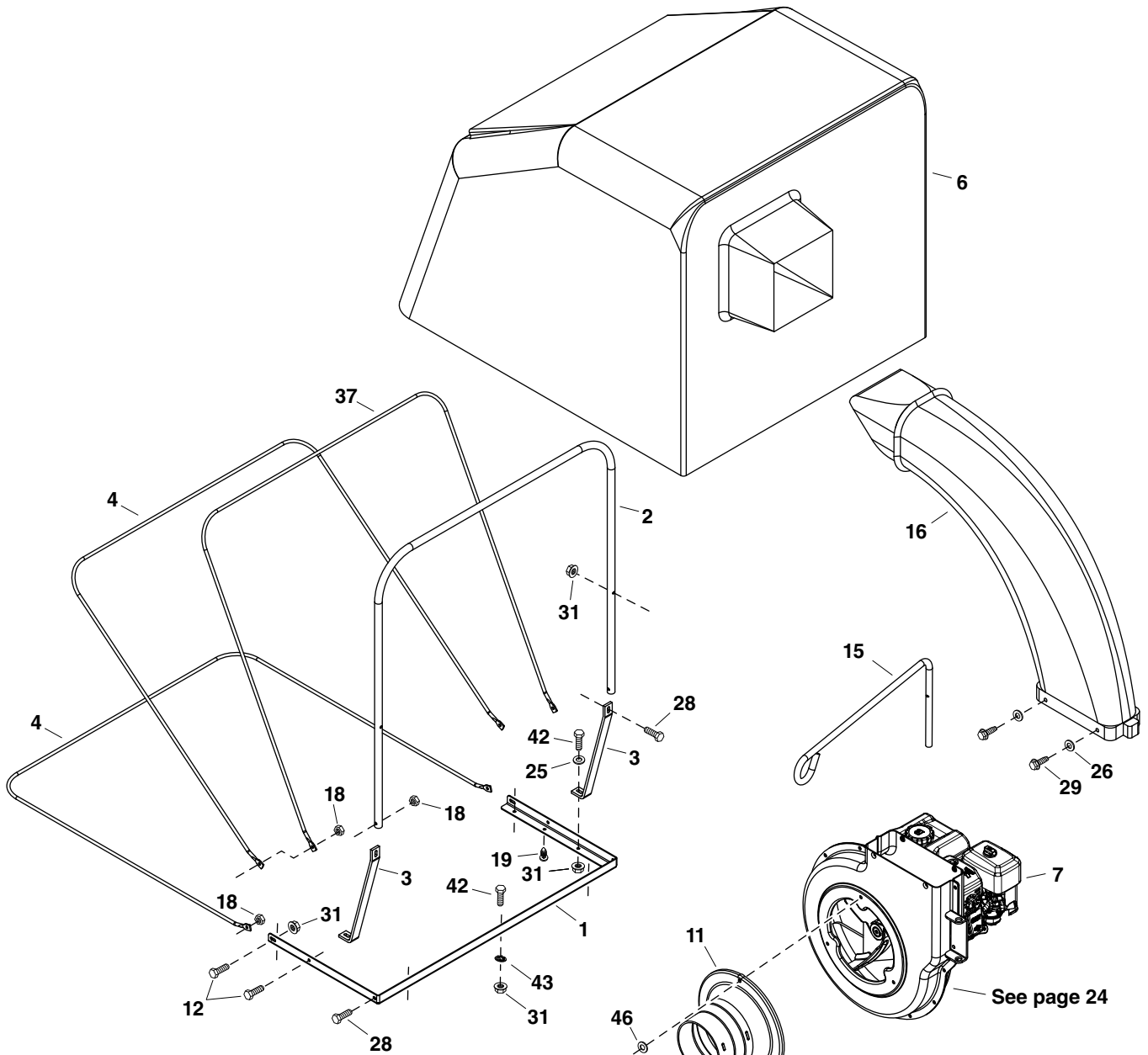


## REPAIR PARTS LIST FOR 45-0541

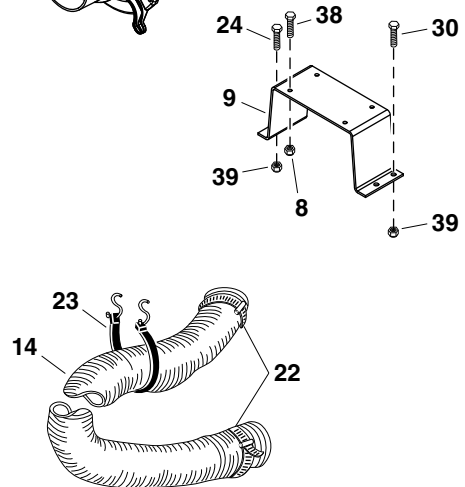
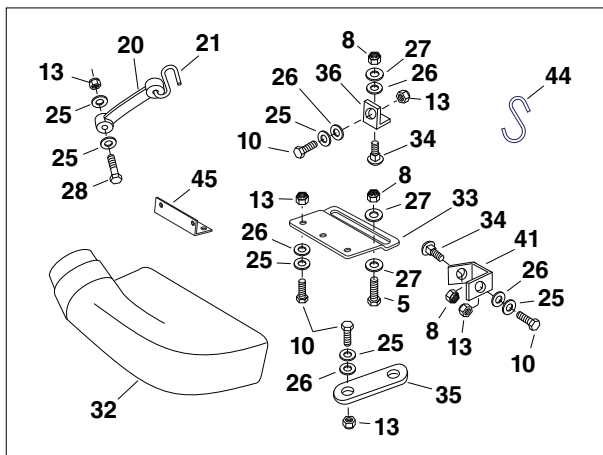


REF. NO.	PART NO.	QTY.	DESCRIPTION	REF. NO.	PART NO.	QTY.	DESCRIPTION
1	48791	1	Cart Tray	15	25875	2	Cart Bed Brace
2	65518	1	Rope, 36"	16	25910	2	Axle Clip
3	43012	4	Hex Bolt, 1/4-20 x 3/4"	17	47189	4	Nylock Nut, 1/4-20
4	24386	1	Latch Stand Plate	18	47810	9	Nylock Nut, 5/16-18
5	43182	8	Hex Bolt, 5/16-18 x 3/4"	19	R19212016	4	Washer, 5/8"
6	24908	1	Axle	20	43010	2	Cotter Pin
7	40880	2	Wheel	21	23353	1	Hitch Pin
8	65442	1	Rear Tongue	22	43001	2	Hex Bolt, 3/8-16 x 1"
9	24527	1	Wheel Support	23	HA21362	5	Nylock Nut, 3/8-16
10	24497	1	Latch Stand Bracket	24	43343	1	Hair Cotter Pin, 3/32"
11	25742	1	Front Tongue	25	43574	3	Hex Bolt, 3/8-16 x 3"
12	23475	1	Hitch Bracket	26	47407	1	Hex Bolt, 5/16-18 x 4"
13	25010	1	Latch Lock Lever				
14	HA20186	1	Spring				

# REPAIR PARTS FOR MODEL 45-0541



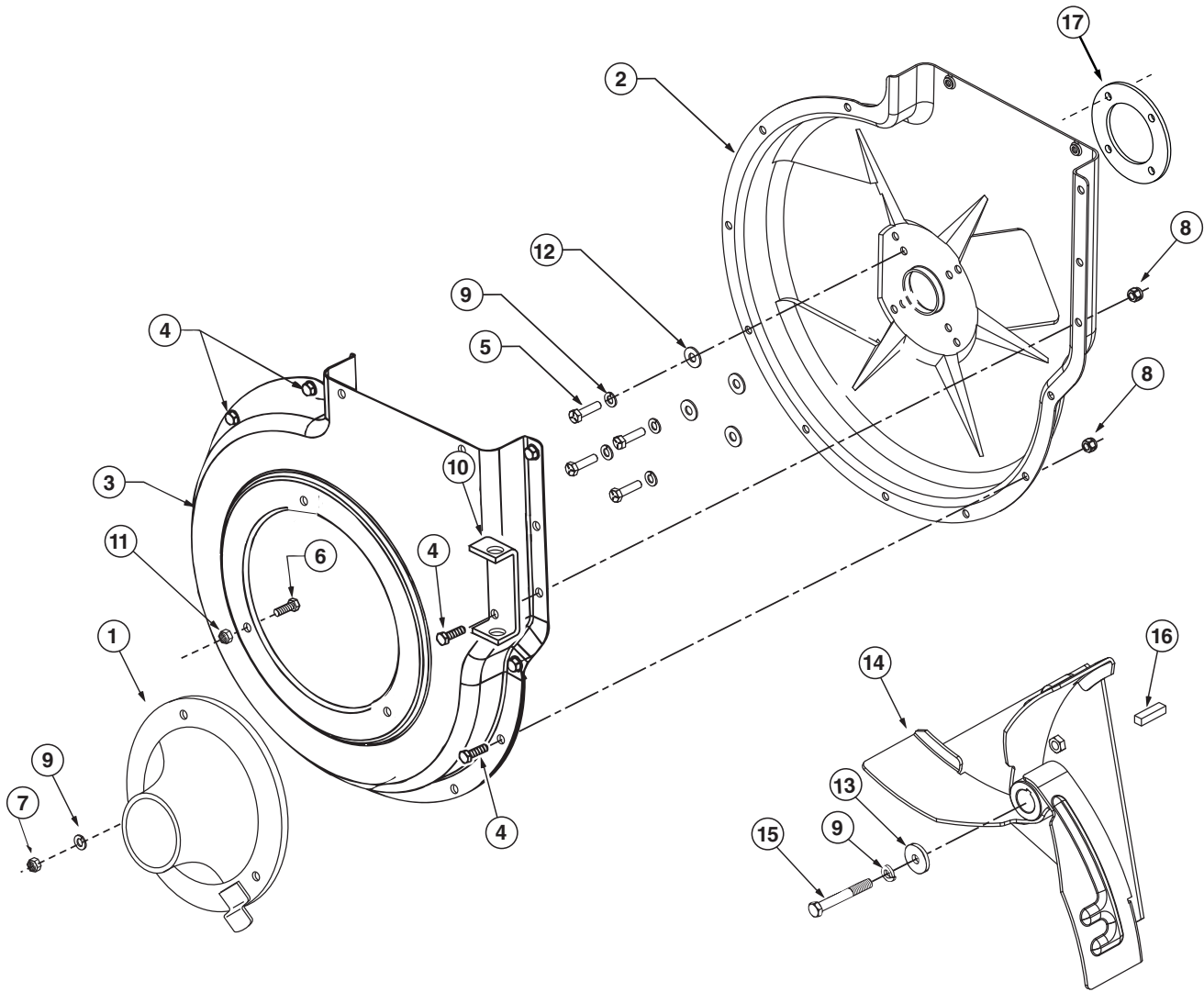
## ADAPTER #62468



## REPAIR PARTS FOR MODEL 45-0541

REF. NO.	PART NO.	QTY.	DESCRIPTION	REF. NO.	PART NO.	QTY.	DESCRIPTION
1	27144	1	Top Support Angle	25	43088	11	Washer, 1/4" Std.
2	25874	1	Front Support Tube	26	1543-69	9	Nylon Washer
3	25876	2	Brace	27	43081	12	Washer, 5/16" Std.
4	49873	2	Lower Support Rod	28	1509-90	7	Hex Bolt, 1/4-20 x 1-1/4"
5	43840	2	Hex Bolt, 5/16-18 x 1-1/4"	29	47630	4	Hex Bolt, 5/16-18 x 3/4" (Thread Forming)
6	42479	1	Cart Cover				
7	-	1	Engine	30	43001	2	Hex Bolt, 3/8-16 x 1"
8	47810	7	Nylock Nut, 5/16-18	31	47598	11	Nut, Hex Flange 1/4-20
9	25873	1	Engine Mounting Base	32	43830	1	Deck Adapter
10	43661	4	Hex Bolt, 1/4-20 x 1"	33	23560	1	Deck Adapter Bracket
11	43791	1	Hose Adapter	34	43080	2	Carriage Bolt, 5/16" x 3/4"
12	43012	4	Hex Bolt, 1/4-20 x 3/4"	35	23825	1	Mounting Strap
13	47189	5	Nylock Nut, 1/4-20	36	23826	1	Angle Bracket
14	41882	1	Hose	37	49872	1	Front Support Rod
15	49974	1	Hose Hanger Rod	38	43085	4	Hex Bolt, 5/16-18 x 1-1/2"
16	46420	1	Elbow with Deflector	39	HA21362	4	Nylock Nut, 3/8-16
17	49983	3	Nut, Hex 5/16 Lock	40	62468	1	Deck Adapter Kit
18	43013	6	Lock Nut, 1/4-20	41	23827	1	Mounting Bracket
19	48402	2	Plug, Plastic	42	43661	11	Hex Bolt, 1/4-20 x 1"
20	44850	2	Tarp Strap	43	45541	7	Retainer Nut, 1/4"
21	44849	2	"S" Hook	44	42749	1	"S" Hook, Large
22	43793	2	Hose Clamp	45	27304	1	Bracket, Attachment
23	43790	1	Tarp Strap, 25"	46	43086	3	Lock Washer, 5/16"
24	43574	2	Hex Bolt, 3/8-16 x 3"		45446	1	Owner's Manual

## REPAIR PARTS LIST FOR 45-0541



REF. NO.	PART NO.	QTY.	DESCRIPTION	REF. NO.	PART NO.	QTY.	DESCRIPTION
1	43791	1	Hose Adapter	10	24958	1	Hose Hanger Bracket
2	27884	1	Housing Assembly, Inner	11	46584	3	Hex Nut, Whizlock 5/16-18
3	24633	1	Housing Assembly, Outer	12	43081	4	Washer, 5/16" Std.
4	43182	12	Hex Bolt, 5/16-18 x 3/4"	13	26538	1	Spacer, Step
5	47600	4	Hex Bolt, 5/16-24 x 1"	14	68669	1	Impeller Assembly
6	43063	3	Hex Bolt, 5/16-18 x 1"	15	45417	1	Hex Bolt, 5/16-24 x 1-3/4"
7	49983	3	Nut, Hex 5/16" Lock	16	HA11154	1	Key, 3/16" Sq. x 1.75"
8	47810	12	Nylock Nut, 5/16-18	17	28046	1	Spacer, Inner Housing
9	43086	9	Lock Washer, 5/16"				